

Titan VoIP Handset Telephone

Metal Bodied Weather Resistant



Features

- **Embedded Browser for Simple Configuration**
- **Vandal Resistant Handset and Cord**
- **Robust and Weather-resistant up to IP66**
- **Full Keypad, Full Keypad with Memory, Ringdown and 1, 3 and 6 Button Auto-dial Versions**
- **Multi Purpose Design for Wall or Post Mounting, Simple Installation**
- **Large Tactile Buttons, Easy to See and Operate**
- **Four Contact Inputs, and Two Relay Outputs as Standard**
- **E-mail Fault Reporting**



Titan's aluminum body is robust and designed to look good and last longer in hostile outdoor environments. Along with weather and vandal resistance, the Titan range meets the acoustic performance, reliability and varying applications demanded by today's markets.

Titan is simple to install with mounting holes concealed from view giving increased security from vandalism. Cable entries are via watertight glands while push buttons are weather sealed. Its spring loaded door also gives extra weather protection to the telephone.

Voice over IP (SIP protocol)

For connection to a VoIP enable network, GAI-Tronics VoIP-SIP telephones offer direct connection to LAN or WAN via RJ45 connector, including Power-Over-Ethernet (PoE) as standard. GAI-Tronics VoIP-SIP phones offer a wealth of additional features including real-time reporting via Syslog, and can be configured by web browser.

Keypad Options:

15 & 18 button Full Keypad: Included in the 18 button version, are 3 direct dial buttons for fast one touch dialing of pre-stored numbers or accessing low cost call facilities. The 15 and 18 keypad versions include: **S 'Microphone mute' or 'Silence', R 'Recall', LR 'Last number redial'**

1, 3, 6 & 18 Button Auto-dial

These models are programmable via an internal keypad. A microphone muting facility guards against unauthorized calls made with a remote DTMF tone pad. To make a call, simply lift the handset and press a single button. The pre-programmed number (up to 24 digits) will then dial automatically.



0 button Ringdown

This can be used to initiate a 'hotline' / lift handset and wait for reply, or autodial on handset lift.



Titan VoIP Handset Telephone

Metal Bodied Weather Resistant



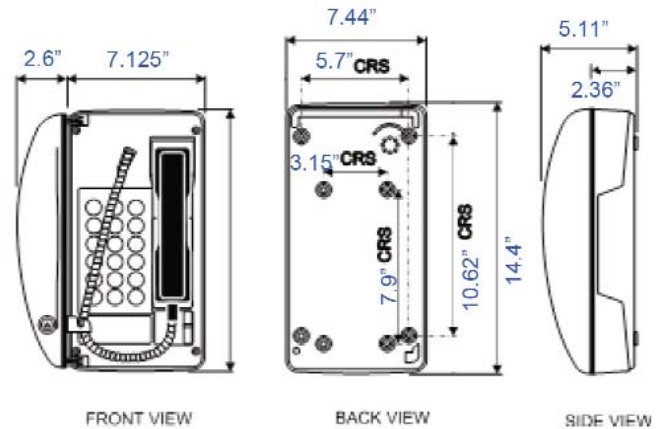
Specifications

- Casing Material** Die cast aluminum, epoxy powder coated yellow.
- Handset Material** Cycoloy (2850) with stainless steel spiral cord
- Keypad** Weather sealed tactile digital keypad.
Silicone rubber material, resistant to most chemicals and solvents
- Temperature**
 - Operating -4° F to +140° F (-20° C to +60° C)
 - Storing -40° F to +158° F (-40° C to +70° C)
- Weather Resistance**
 - Door Open IP65
 - Door Closed IP66
- Ring Tone** .. Shrill warble tone 80 dBA @ 1 meter typical
- Hookswitch** Electronic / magnetic with no visible moving parts
- Lightning/Transients** Protection to ITU-T k.21 enhanced levels
- M.T.F.B.** Calculated to have an M.T.B.F. in excess of 50,000 hours using MIL-HDBK-217F Notice 2
- Weight** Up to 11lbs (5 kg) depending on option

Voice Over IP-SIP

- Connection Type** RJ45 socket (inside sealed enclosure)
- Power Supply** External 48 V dc or Power-Over-Ethernet (PoE 802.3af compliant)
- Call Set-up Protocol** Session Initiation Protocol (SIP) (RFC 3261) only
- Configuration** Via configuration file or web page.
Static IP address provisioning or DHCP
- External I/O** 4 auxiliary inputs, 2 isolated relay outputs
- Monitoring and Reporting** 4 auxiliary inputs, 2 isolated relay outputs

Dimensions



Approvals



This mark indicates compliance with the Radio & Telecommunications Terminal Equipment Directive 1999/5/EC (R&TTE)



This mark indicates compliance for inductively coupling to Hearing Aids having a 'T' switch position Tested to ETS 300-381 and in accordance with ITU-T P37.

For specific country approval, please call GAI-Tronics®



Models

Model Number	Description
110-02-1010-222	Titan VoIP Ringdown
110-02-1011-222	Titan VoIP One (1) Button Auto-dial
110-02-1013-222	Titan Three (3) Button Auto-dial
110-02-101F-222	Titan VoIP Standard Keypad
110-02-101J-222	Titan VoIP Standard Keypad with Three (3) Auto-dial Buttons