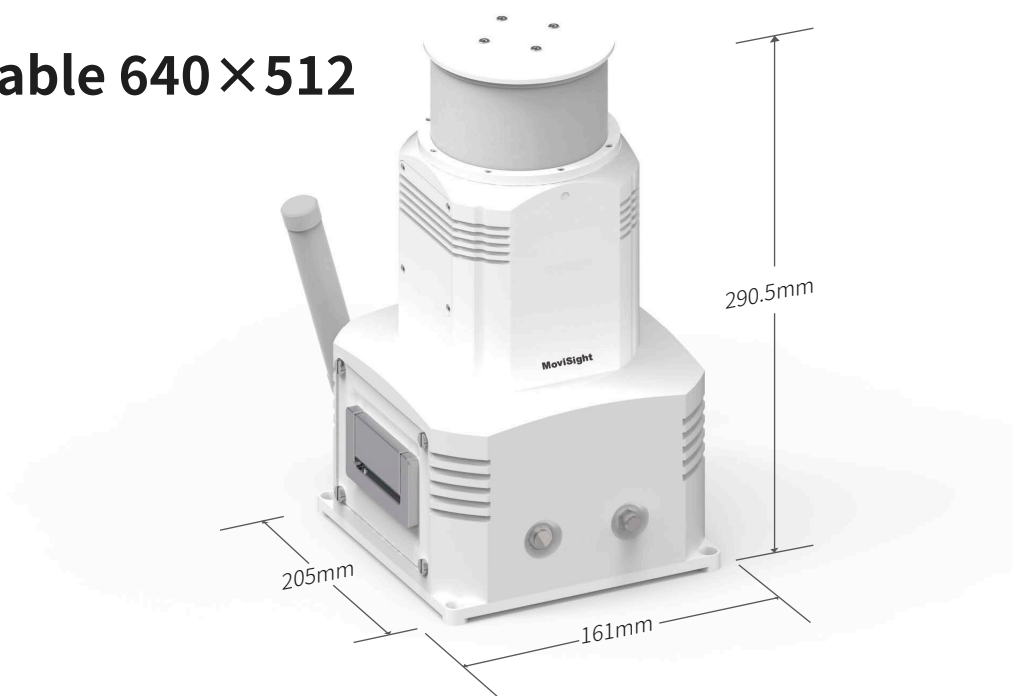


**360°**

# Thermal Panoramic Vision

Portable 640×512



## APPLICATION SCENARIOS



Individual patrol



Vehicle patrol

## PRODUCT HIGHLIGHTS



Small, lightweight, portable

The size is only  
161x205.5x290.5mm



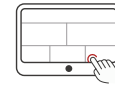
Wireless transmission,  
instant connection

Wireless transmission distance  
up to 50m



Mobile power supply

8 hours of outdoor mobile patrol



Tablet control

Equipped with mobile tablet,  
support touch operation

## TECHNICAL DATE

Product type		MS-7-UM619B	MS-7UM625B
Infrared Panoramic E.O.S Hardware			
Detector type		Uncooled	
Detector resolution		640×512	
Focal length		19mm	25mm
Panoramic image resolution		9900×512	13000×512
360 Degree scanning speed		0.61Hz	0.48Hz
180 Degree scanning speed		1.23Hz	0.92Hz
Horizontal FOV		360°	
Vertical FOV		18.4°	14°
Vertical adjustment range		±5°	
Ingress protection		IP66	
Dimension (L×W×H)		161×205×290.5mm	
Weight		5.1kg	
Max. Operating temperature range		- 40°C~+50°C	
Detecting distance	People (1.7m)	600m	750m
	Vehicle (4m)	1200m	1500m
Detachable battery			
Battery capacity		24V6Ah(Equipped with 2 batteries)	
Wireless transmission			
Transmission mode		Wifi	
Transmission distance		50m	
Portable Operation Panel			
Operating system		Windows	
Size		10.1 inch	