

# MoviSight

MS7002-FBU-W

## 2MP Fixed IR Wi-Fi Bullet Camera



### KEY FEATURES

- Metal+Plastic Housing
- Up to 1920x1080@30fps
- S+265/H.265/H.264
- Min. illumination Color: 0.02Lux@F2.0
- Smart IR, IR Range: 50m
- Operating Conditions -35°C~65°C, 0~95% RH
- Built-in Mic, SD Card Slot, Reset Button
- Support Wi-Fi
- IP67

# MoviSight

## SPECIFICATIONS

### Camera

<b>Image Sensor</b>	1/2.8" CMOS
<b>Signal System</b>	PAL/NTSC
<b>Min. Illumination</b>	Color: 0.02Lux@ (F2.0, AGC ON), B/W: 0Lux with IR
<b>Shutter Time</b>	1s to 1/100,000s
<b>Day &amp; Night</b>	Dual IR Cut Filter with Auto Switch
<b>Wide Dynamic Range</b>	Digital WDR
<b>Angle Adjustment</b>	Bracket, pan 0~360°, tilt 0~75°, rotate 0~360°

### Lens

<b>Lens Type</b>	Fixed
<b>Focus</b>	4mm
<b>Lens Mount</b>	M12
<b>Aperture</b>	F2.0, Fixed
<b>FOV</b>	Horizontal field of view: 83.3° Vertical field of view: 46.8°

### Illuminator

<b>IR LEDs</b>	2
<b>IR Range</b>	Up to 50m
<b>Wavelength</b>	850nm
<b>White LEDs</b>	N/A

### Compression Standard

<b>Video Compression</b>	S+265/H.265/H.264
<b>Video Bit Rate</b>	32Kbps~6Mbps
<b>Audio Compression</b>	G.711/G.711U/ADPCM
<b>Audio Bit Rate</b>	8K~48Kbps

### Image

<b>Max. Resolution</b>	1920x1080
<b>Main Stream</b>	PAL: 25fps (1920x1080, 1280x720, 704x576, 640x480) NTSC: 30fps (1920x1080, 1280x720, 704x480, 640x480)
<b>Sub Stream</b>	PAL: 25fps (704x576, 704x288, 640x360, 352x288) NTSC: 30fps (704x480, 704x240, 640x360, 352x240)
<b>Third Stream</b>	N/A
<b>Image Setting</b>	Saturation, brightness, contrast, sharpness, adjustable by client software or web browser
<b>Image Enhancement</b>	BLC/3D DNR/HLC
<b>ROI</b>	N/A
<b>OSD</b>	16x16, 32x32, adaptable size, Letters Such as Week, Date, Time, Total 3 Regions
<b>Picture Overlay</b>	N/A
<b>Privacy Mask</b>	Yes, 4 regions
<b>Smart Defog</b>	Yes

### Feature

<b>Alarm Trigger</b>	Motion Detection, Mask Alarm, IP Address Conflict
<b>Video Analytics</b>	Tripwire, Perimeter
<b>Early Warning(EW)</b>	N/A

# MoviSight

## Network

<b>Network Storage</b>	N/A
<b>Protocols</b>	TCP/IP, HTTP, FTP, DHCP, DNS, DDNS, IPV4, NTP, UDP, Telnet, ICMP, RTP, RTSP, UPnP
<b>System Compatibility</b>	ONVIF (PROFILE S/T/G), SDK, P2P(Mutually exclusive with Profile G)
<b>Remote Connection</b>	≤7
<b>Client</b>	MoviSight
<b>Web Version</b>	Web5

## Wi-Fi

<b>Wireless Standards</b>	IEEE802.11b/g/n
<b>Frequency Range</b>	2.4GHz ~ 2.4835 GHz
<b>Channel Bandwidth</b>	20/40MHz
<b>Protocols</b>	802.11b: CCK, QPSK, BPSK 802.11g/n: OFDM/HT
<b>Security</b>	WPA-PSK/WPA2-PSK
<b>Transfer Rates</b>	802.11b: 11Mbps 802.11g: 54Mbps 802.11n: up to 150Mbps
<b>Wireless Range</b>	Up to 50m (The performance varies based on actual environment)
<b>Power Consumption</b>	802.11b: 17±1.5dBm@11Mbps 802.11g: 14±1.5dBm@54Mbps 802.11n: 12.5±1.5dBm@150Mbps

## Interface

<b>Communication Interface</b>	1 RJ45 10M/ 100M self adaptive Ethernet port
<b>Audio I/O</b>	Mic in
<b>Alarm I/O</b>	N/A
<b>Reset Button</b>	Yes
<b>On-board storage</b>	Built-in MicroSD card slot, up to 512 GB

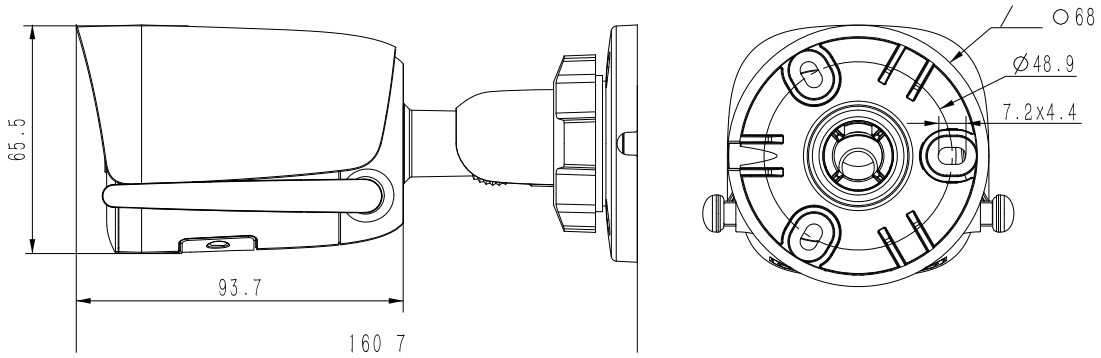
## General

<b>Firmware Version</b>	-
<b>Web Client Language</b>	15 languages English, Russian, Spanish, Korean, Italian, Turkish, Simple Chinese, Traditional Chinese, Thai, French, Polish, Dutch, Hebraism, Arabic, Vietnamese
<b>Operating Conditions</b>	-35°C ~ 65°C, 0 ~ 95% RH
<b>Power Supply</b>	DC 12V±25%
<b>Power Consumption</b>	MAX: 6.8W(12V)
<b>Protection</b>	IP67, Lightning protection, surge protection and voltage transient protection meets EN 55035:2017
<b>Heater</b>	N/A
<b>Dimensions</b>	161mm×68mm×66mm (6.34×2.68×2.60 inch)
<b>Weight</b>	0.31Kg (0.68lb)

\* Listed resolutions are only selectable options. It does not mean that all streams can work at their maximum resolution at the same time.

# MoviSight

## DIMENSIONS



## ACCESSORIES



MS-7A35  
CORNER MOUNT



MS-7P54BM SPEC:  
V5 JUNCTION BOX



MS-7A36  
POLE MOUNT