

MoviSight

 With Coral
intelligence



PRODUCT SPECIFICATION

Coral

MS-7CAM-AI

Vision Cam AI

SMART CAMERA WITH DEEP LEARNING

SMART CAMERA WITH DEEP LEARNING ACCELERATOR

Vision Cam AI

Vision Cam AI is an embedded solution for image processing with which applications from the fields of AI, Deep Learning and Machine Learning can be easily realised. With its integrated Google Edge TPU, the real-time inference system supports the frameworks TensorFlow Lite and AutoML Vision Edge. This makes it ideally suited for tasks such as pattern recognition, classification, anomaly or defect detection in inspection applications, code reading and many other custom applications.



sample configuration

Key Features

- Embedded deep-learning based machine vision system with Coral Edge TPU
- 5 MP sensor
- Ultra compact and powerful
- Free programmable
- Simple use of digital Inputs and Outputs

CMOS Sensor – Global Shutter

| | |
|-----------------------|-----------------------------------|
| Optical Size | 1/1.8" |
| Resolution | 2560 x 1936 pixels (5 MP) |
| Pixelsize | (2.8 μm) ² |
| Framerate (full res.) | 53 fps |
| Partial Scan | yes |
| Color | mono / color |

Interfaces

| | |
|----------------------|--------------------------------------|
| Ethernet TCP/IP, FTP | 1 000 Mbit/s |
| Digital In/Out | 2 x Input / 4 x Output, 24V |
| Mass Storage | 1 x μSD Card \geq 32 GB |

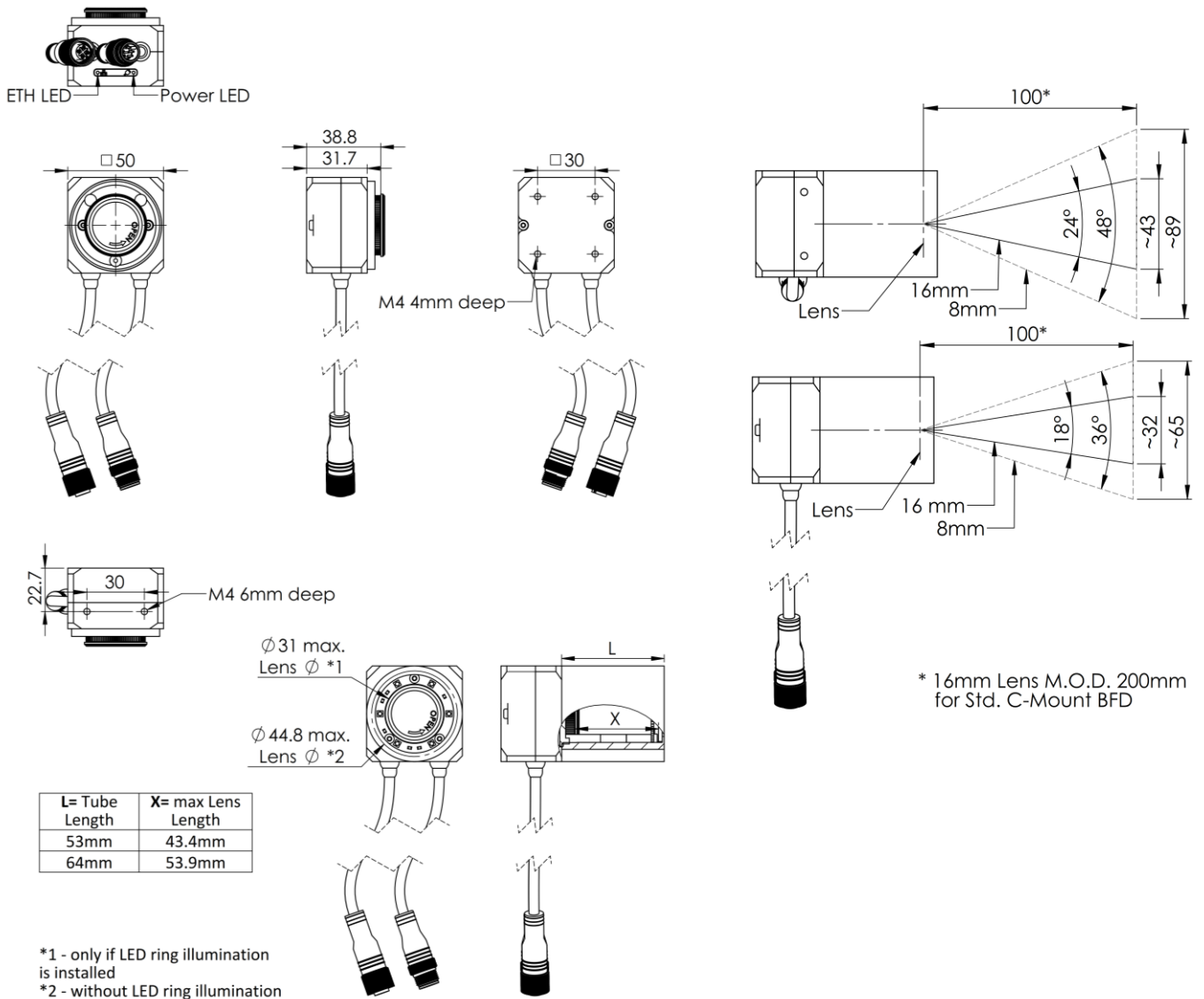
Lens Properties

| | | |
|-----------------------|--|--|
| Lens Mount | C-Mount | |
| Focal length | 8mm | 16mm |
| Field of View (H x V) | $\approx 48^\circ \times \approx 36^\circ$ | $\approx 24^\circ \times \approx 18^\circ$ |
| M.O.D. | 100mm | 200mm |

Mechanical / Electrical

| | |
|---------------------------|---|
| Ethernet Cable | 0.5 m , M12 8 pin |
| I/O & Power Cable | 0.5 m , M12 8 pin |
| Min. Cable Bending Radius | 30 mm (recommended) |
| Power Supply | 24 V _{DC} (21 V _{DC} – 28 V _{DC}) |
| Supply Current @24V | 0.5 A |
| Dimension W × D × H | 50 mm × 85mm × 50 mm |
| Weight | 370 g (incl. cable, lens and tube) |
| Temperature Range | +5 °C ... +45 °C |
| Mounting | 4 × M4 (Back) , 2 × M4 (Top) |

Dimensional Drawing



The smartest embedded vision components

For more than 25 years, MoviSight has been supplying machine vision technology to machine builders to improve product quality, make processes smoother, avoid production errors, reduce manufacturing costs and make systems more efficient.



What we do

With the focus on what counts for our customers, we develop hardware components for industrial image processing. Be it in factory automation, the printing industry, for the food and beverage industry, pharmaceutical or logistics industry. MoviSight supplies vision systems, smart cameras, vision sensors and the appropriate software for the optimized use of our products. We pay special attention to miniaturization, high frame rates, increasing computing power and environmentally friendly power consumption. These characteristics already distinguish our products today.

And we are proud of them.